

Wireless ATM

Raj Jain

Professor of Computer and Information Science

The Ohio State University

Columbus, OH 43210

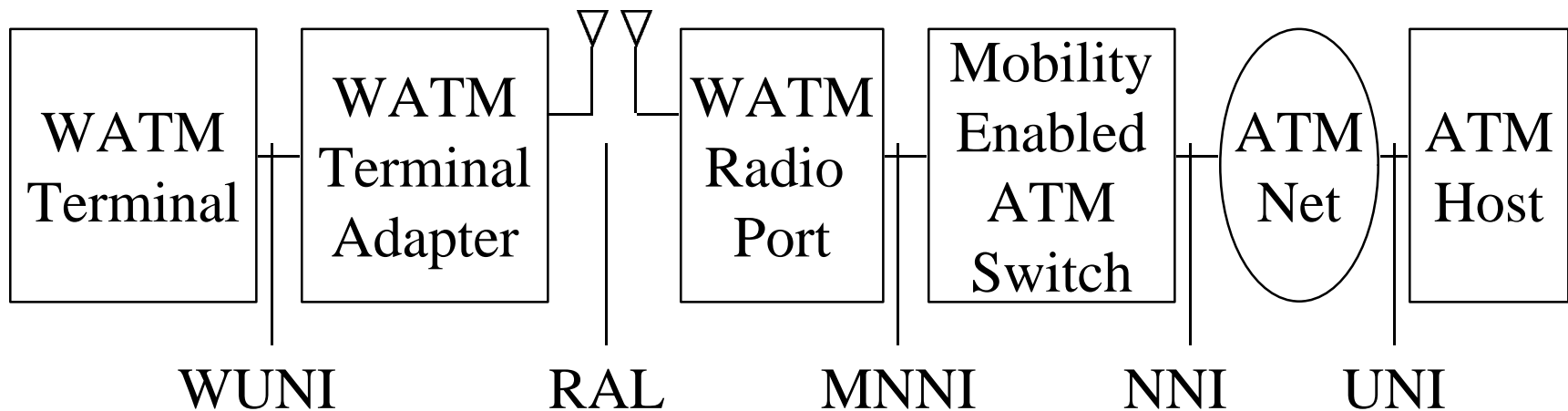
Jain@CIS.Ohio-State.Edu

<http://www.cis.ohio-state.edu/~jain/>

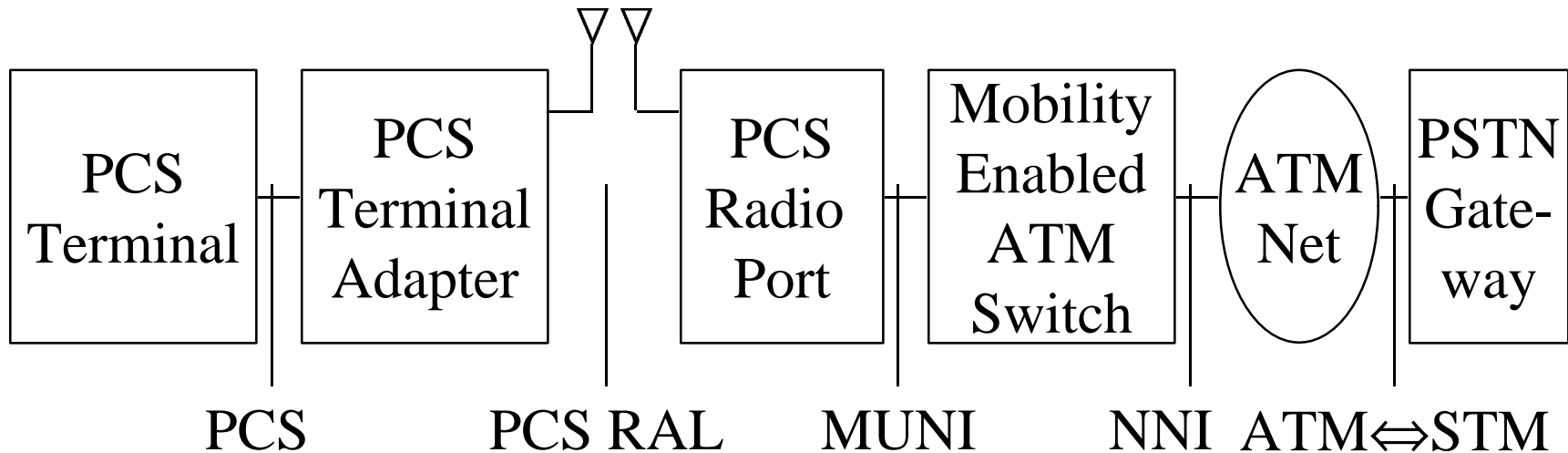


- q Reference Model
- q Protocol Architecture
- q Proposed scope

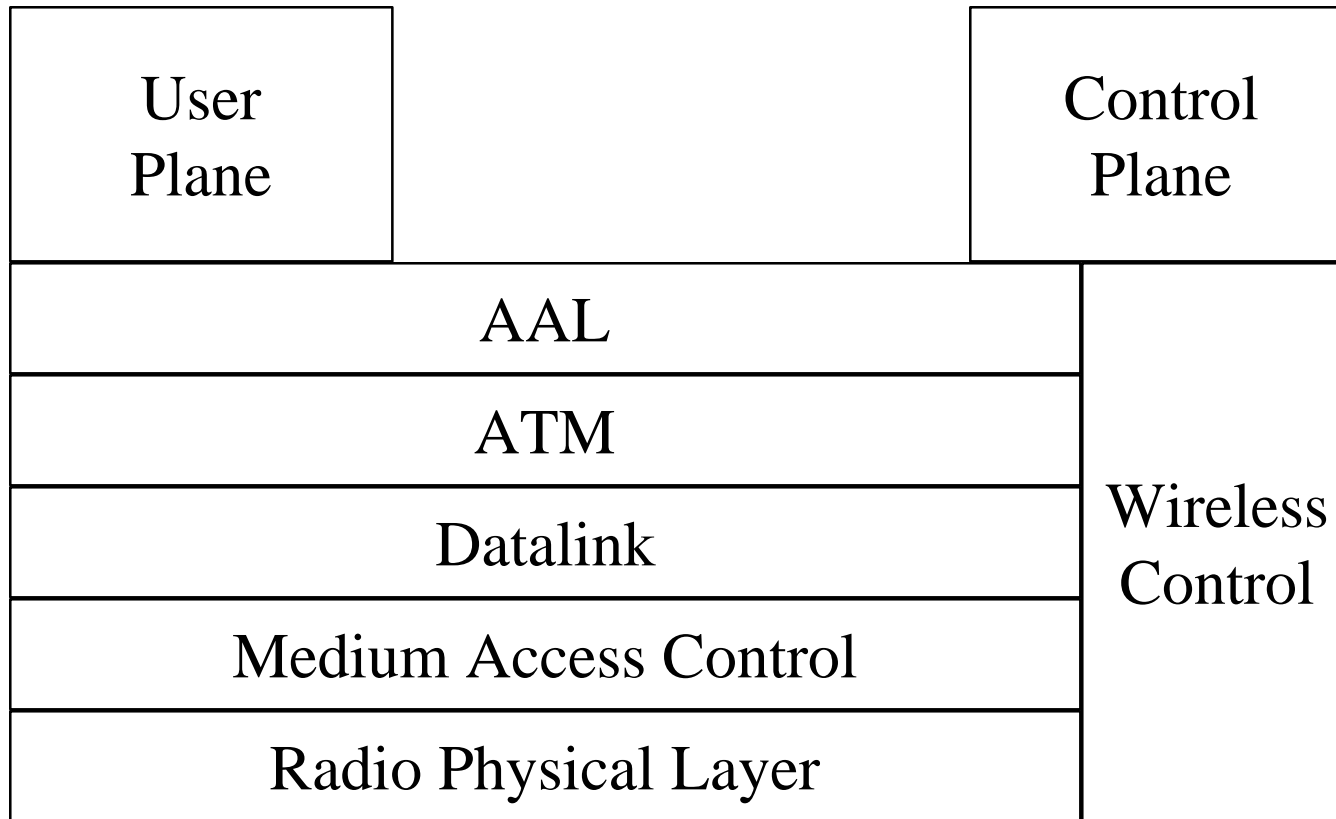
Wireless ATM: Reference Model



q May also be used with cellular/PCS infrastructure



WATM Protocol Architecture



Proposed Work Items

- q Radio access protocols including
 - q Radio physical layer
 - q Medium access control for wireless channel
 - q Datalink control for wireless channel errors
 - q Wireless control protocol for radio resource management
- q Mobile ATM Protocol extensions including:
 - q Handoff control
 - q Location management for mobile connections
 - q Routing considerations for mobile connections
 - q Traffic/QoS control for mobile connections
 - q Wireless Network Management

Status

- q So Far it was a "Birds of a Feather"
- q Working Group will be established in August 1996

References: Wireless ATM

- q L. Dellaverson, "Proposed Charter, Work Plan and Schedule for a Wireless ATM Working Group," ATM Forum/96-0712, June 1996.
- q J. Deane, "WATM PHY requirements," ATM Forum/96-0785, June 1996
- q J. Deane, "WATM MAC requirements," ATM Forum/96-0786, June 1996